

Replacement Parts List

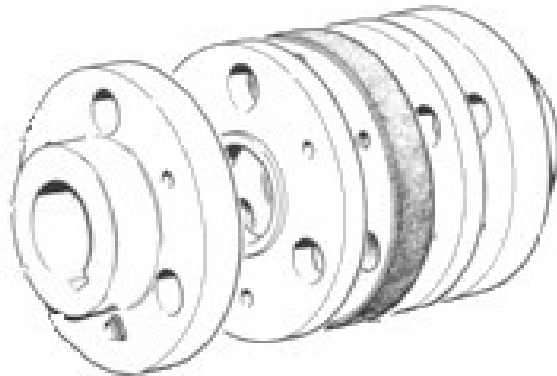
JEH Couplings - Issue 2 (H)

Date: **March - 2006**

Supersedes: JEH Couplings - Issue 1 (H)

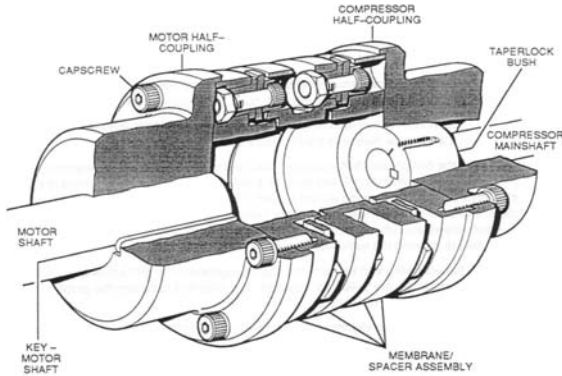


Veebloc & HallScrew couplings



J & E Hall Couplings

Hallscrew Twin Star (HS2000) Compressor Couplings:



For Hallscrew compressors HS18-HS35 (including the HS2000 range) the standard coupling type fitted is known as a Metastream TSKS. The normal wearing part is called the **Membrane Spacer Assembly**, and the quickest way to identify these coupling spares is to get the details from the actual part required. Failing this, we can look at the coupling originally fitted to a compressor pack/plant if the compressor serial number is available.

Membrane Spacer Model Number	Old P/No	Part Number
TSKS-0060-0056-1400 - supplied with replacement bolt sets	7513-803	N07090001
TSKS-0100-0056-1400 - supplied with replacement bolt sets	7513-804	N07090002
TSKS-0180-0056-1400 - supplied with replacement bolt sets	7513-805	N07090003
TSKS-0260-0056-1400 - supplied with replacement bolt sets	7513-806	N07090004
TSKS-0400-0056-1400 - supplied with replacement bolt sets	7513-807	N07090005

Replacement Bolt Set Only	Old P/No	Part Number
To suit a TSKS 0060 - includes set of short and a set of long bolts	PN70282	N07060002
To suit a TSKS 0100 - includes set of short and a set of long bolts	PN70283	N07060003
To suit a TSKS 0180 - includes set of short and a set of long bolts	PN70284	N07060004
To suit a TSKS 0260 - includes set of short and a set of long bolts	PN70285	N07060005
To suit a TSKS 0400 - includes set of short and a set of long bolts	PN70286	N07060006

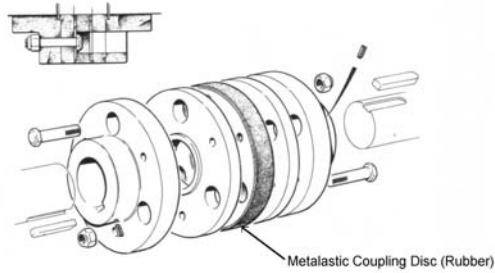
Hallscrew Single Star (HS2100) Compressor Couplings:

For Hallscrew compressors HS2116-HS2120 the standard coupling type fitted is a HRC type. The normal wearing part is called the Rubber Dog, and the quickest way to identify these coupling spares is to advise the details from the actual part required. Failing this, we can look at the coupling originally fitted to a compressor pack/plant if the compressor serial number is available.

Coupling Model Number	Old P/No	Part Number
HRC 130	7513-834	N07080002
HRC 150	7513-835	N07080003

J & E Hall Couplings

Halls Veebloc Compressor Couplings:



For Halls Veebloc compressors the standard coupling type fitted was a metalstic disc assy. The normal wearing part is the actual **metalstic rubber disc**, and the quickest way to identify these is to advise the disc diameter, the compressor running speed the motor shaft diameter, and the motor starting torque. Failing this, we can look at the coupling originally fitted to a compressor pack/plant if the compressor serial number is available.

Comps Model	Disc Dia.	Comps Speed	Motor Shaft Dia.	Motor Starting Torque	Old P/No	Part Number
V54 4 cylinder	6.1/2"	735 / 1450 rpm	3/4" - 2.00"	<2 lb.ft2	38813-108	N07080005
V54 4 cylinder	6.1/2"	735 / 1450 rpm	3/4" - 2.00"	>2 lb.ft2	38813-107	N07080004
V54 4 cylinder	6.1/2"	960 rpm	3/4" - 2.00"	ALL	38813-109	N07080006
V54 4 cylinder	6.1/2"	1160 rpm	3/4" - 2.00"	ALL	38813-108	N07080005
V54 4 cylinder	6.1/2"	1750 rpm	3/4" - 2.00"	<0.15 lb.ft2	38813-108	N07080005
V54 4 cylinder	6.1/2"	1750 rpm	3/4" - 2.00"	>0.15 lb.ft2	38813-107	N07080004
V54 6 cylinder	6.1/2"	735 / 960 rpm	3/4" - 2.00"	ALL	38813-108	N07080005
V54 6 cylinder	6.1/2"	1450 rpm	3/4" - 2.00"	<1 lb.ft2	38813-108	N07080005
V54 6 cylinder	6.1/2"	1450 rpm	3/4" - 2.00"	>1 lb.ft2	38813-107	N07080004
V54 6 cylinder	6.1/2"	1160 rpm	3/4" - 2.00"	ALL	38813-109	N07080006
V54 6 cylinder	6.1/2"	1750 rpm	up to 2.18"	ALL	38813-107	N07080004
V54 8 cylinder	6.1/2"	735 rpm	3/4" - 2.00"	ALL	38813-109	N07080006
V54 8 cylinder	6.1/2"	960 rpm	3/4" - 2.00"	ALL	38813-108	N07080005
V54 8 cylinder	6.1/2"	1450 / 1760 rpm	up to 2.18"	ALL	38813-107	N07080004
V54 8 cylinder	6.1/2"	1160 rpm	up to 2.18"	ALL	38813-107	N07080004
V92 3&4 cylinder	10"	1160 rpm	1.1/4" - 3.00"	ALL	38813-110	N07080007
V92 3&4 cylinder	10"	1450 rpm	1.1/4" - 3.00"	<10 lb.ft2	38813-110	N07080007
V92 3&4 cylinder	10"	1450 rpm	1.1/4" - 3.00"	>10 lb.ft2	38813-111	N07080001
V92 3&4 cylinder	10"	735 / 960 rpm	1.1/4" - 3.00"	ALL	38813-112	N07080008
V92 6&8 cylinder	10"	960 rpm	1.5/16" - 3.00"	ALL	38813-110	N07080007
V92 6&8 cylinder	10"	735 / 1450 rpm	1.5/16" - 3.00"	ALL	38813-111	N07080001
V92 6&8 cylinder	10"	1160 / 1750 rpm	1.5/16" - 3.00"	ALL	38813-112	N07080008
V127 MK I, II & III	13.1/2"	735 rpm	1.1/2" - 3.1/2"	<100 lb.ft2	38813-114	N07080010
V127 MK I, II & III	13.1/2"	735 rpm	1.1/2" - 3.1/2"	>100 lb.ft2	38813-113	N07080009
V127 MK I, II & III	13.1/2"	960 rpm	1.1/2" - 3.1/2"	<130 lb.ft2	38813-114	N07080010
V127 MK I, II & III	13.1/2"	960 rpm	1.1/2" - 3.1/2"	>100 lb.ft2	38813-113	N07080009
V127 MK I, II & III	13.1/2"	1160 rpm	1.1/2" - 3.1/2"	<30 lb.ft2	38813-114	N07080010
V127 MK I, II & III	13.1/2"	1160 rpm	1.1/2" - 3.1/2"	>30 lb.ft2	38813-113	N07080009
V127 MK I, II & III	19.1/2"	ALL	3.1/2" - 5.00"	ALL	38813-117	N07080012
V178 All	19.1/2"	735 rpm	2.3/4" - 5.00"	<100 lb.ft2	38813-117	N07080012
V178 All	19.1/2"	735 rpm	2.3/4" - 5.00"	>100 lb.ft2	38813-116	N07080011

The filter design and construction is subject to change without prior notice

J. & E. Hall Ltd, Hansard Gate, West Meadows, Derby, DE21 6JN, England
Tel: +44 1332 253400, Fax: +44 1332 371061, E-mail: halltherm@jehall.co.uk

www.halltherm.com